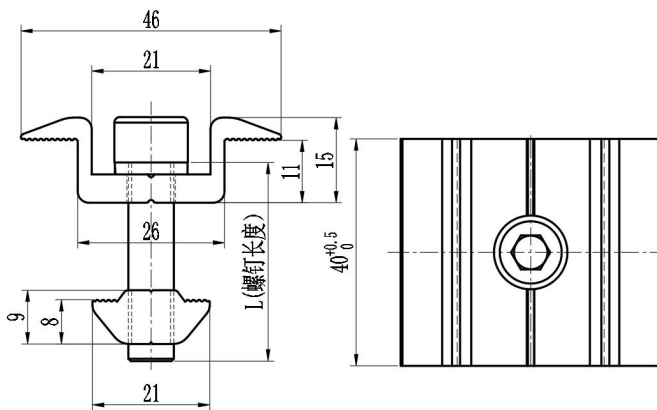
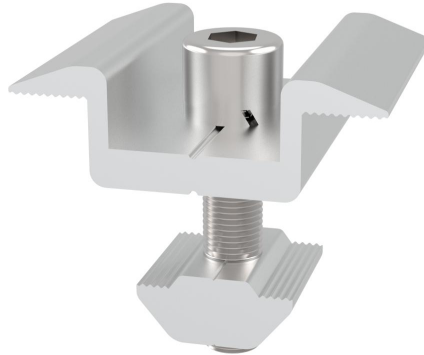


## Product Specification

HOP-PC-ICH00-NS1 Ver: 4.1



No.	Part No.	Feature Size L	Panel Size	Weight
1	PC-ECH20-NS1	20	20	54
2	PC-ECH30-NS1	35	30	60
3	PC-ECH32-NS1	35	32	60
4	PC-ECH35-NS1	40	35	62
5	PC-ECH40-NS1	45	40	64
6	PC-ECH45-NS1	50	45	66

<b>Name</b>	Horizontal Inner Clamp
<b>Stock Code</b>	PC-ICH00-NS1
<b>Weight(g)</b>	See above table
<b>BOM</b>	HOP-G04-0040 (AL6005-T5) x 1 HOP-G91-0020 (AL6005-T5) x 1 M8*L Hexagon socket head cap screws (SUS304) x1 d8 Spring washers (SUS304) x 1
<b>Packing</b>	100pcs
<b>Carton size</b>	260 × 205 × 180