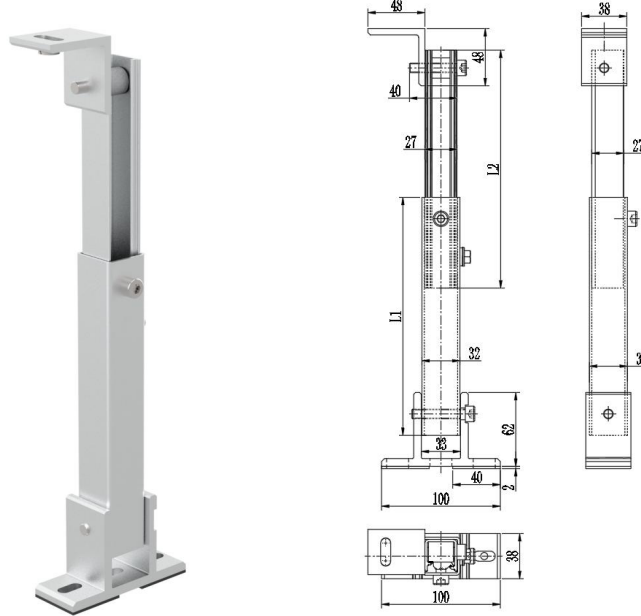


## Product Specification

HOP-TRB-ARL-A00 Ver: 4.1



No.	Part No.	Feature Size			Weight(kg)	Packing	Carton size
		$\alpha$	L1	L2			
1	TRB-ARL-A15-NS1	10~15°	200	200	0.549	40pcs	540×220×380
2	TRB-ARL-A30-NS1	15~30°	360	360	0.721	20pcs	540×220×380
3	TRB-ARL-A60-NS1	30~60°	660	660	1.045	20pcs	540×220×730

**Name** Adjustable Rear Leg

**Stock Code** TRB-ARL-A00

**Weight(g)** See above table

### BOM

HOP-H81-0038 (AL6005-T5) x 1

HOP-J03-0038 (AL6005-T5) x 1

HOP-J05-0000 (AL6005-T5) x 1

HOP-J07-0000 (AL6005-T5) x 1

HOP-J68-0021 (AL6005-T5) x 1

HOP-G94-0020 (AL6005-T5) x 1

HOP-K03-0040 (EPDM) x 2

ST6.3\*25 Self-tapping screw(SUS 410) x 1

M8\*20 Hexagon socket head cap screws (SUS304) x1

M8\*40 Hexagon socket head cap screws (SUS304) x1

M8\*45 Hexagon socket head cap screws (SUS304) x1

**Packing** See above table

**Carton size** See above table