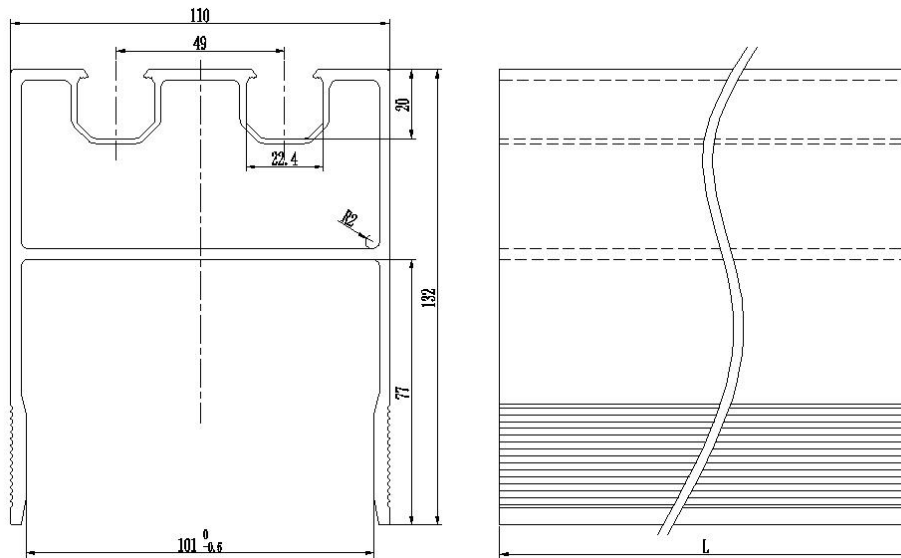
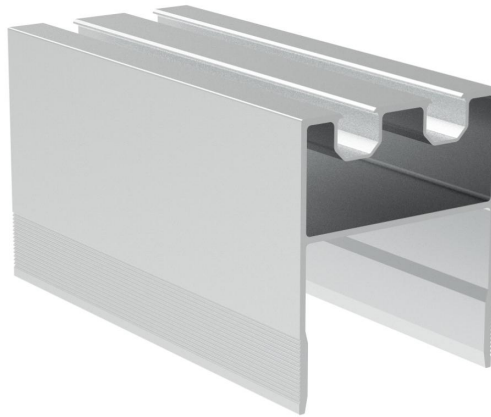


## Product Specification

HOP-E09-0000 Ver: 3.1



|                     |                              |
|---------------------|------------------------------|
| <b>Name</b>         | Type 100 Rafter              |
| <b>Stock Code</b>   | E09-0000                     |
| <b>Weight(kg/m)</b> | 4.234                        |
| <b>BOM</b>          | HOP-E09-0000 (AL6005-T5) x 1 |
| <b>Packing</b>      | 50pcs                        |
| <b>Carton size</b>  | TBA                          |