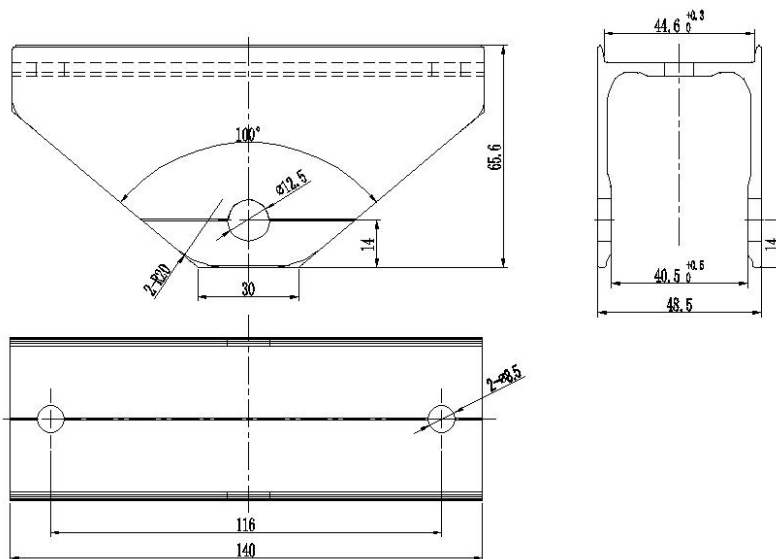


Product Specification

HOP-E02-0140 Ver: 3.1



Name	Type 44 Rafter Connector
Stock Code	E02-0140
Weight(kg)	0.225
BOM	HOP-E02-0140 (AL6005-T5) x 1
Packing	
Carton size	The product preassembled on the support.