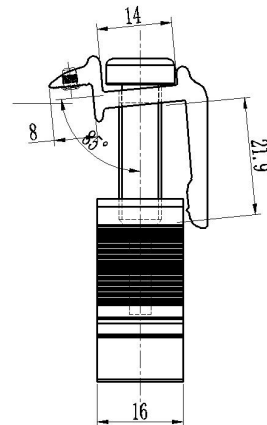
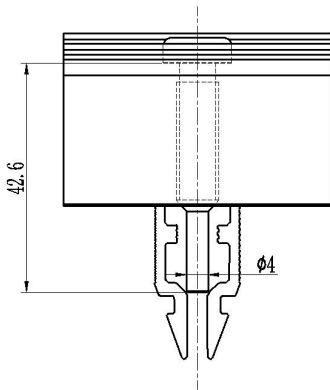
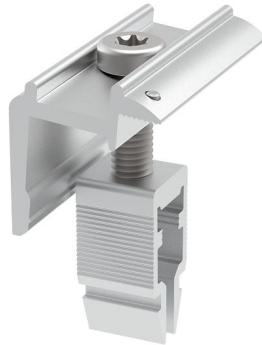


Product Specification

HOP-PC-EEC40-NS5 Ver: 3.1



Name	EU Fits End Clamp (30-40mm)
Stock Code	PC-EEC40-NS5
Weight(g)	49
BOM	HOP-G45-0050 (AL6005-T5) x 1 HOP-G46-0016 (AL6005-T5) x 1 HOP-L26-0004 (SUS304) x 1 M8*42 Star socket screw (SUS304) x1
Packing	100pcs
Carton size	260 × 205 × 180