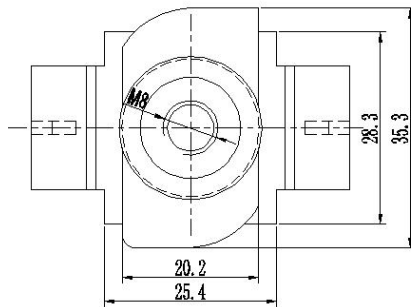
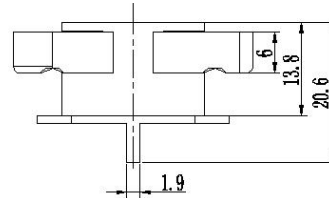
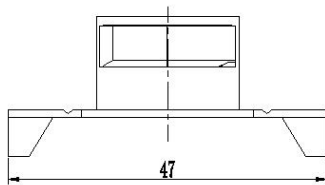
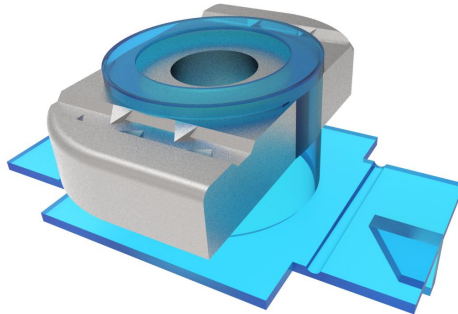


## Product Specification

HOP-AC-CSN-M8 Ver: 3.1



<b>Name</b>	M8 Carbon Steel Fixing Nut
<b>Stock Code</b>	AC-CSN-M8
<b>Weight(g)</b>	27
<b>BOM</b>	HOP-M91-0035 (Q235) x 1 HOP-K91-0047 (PPC) x 1
<b>Packing</b>	400pcs
<b>Carton size</b>	260 × 205 × 180