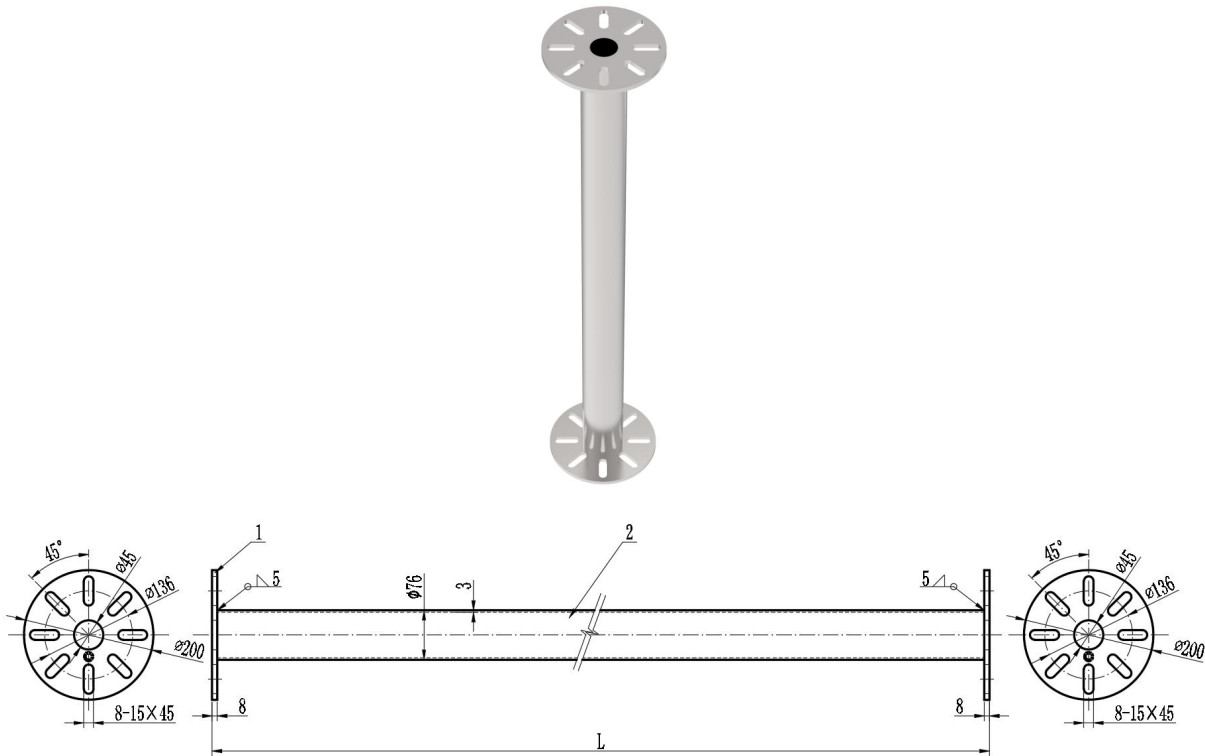


Product Specification

HOP-GS-A70-0000 Ver: 4.1



No.	Part No.	Feature Size L	Weight
1	A70-0200.C107	200	5.03
2	A70-0400.C107	400	6.11
3	A70-0500.C107	500	6.65
4	A70-0600.C107	600	7.19
5	A70-0800.C107	800	8.27
6	A70-1000.C107	1000	9.35
7	A70-1200.C107	1200	10.43
8	A70-1400.C107	1400	11.51
9	A70-1500.C107	1500	12.05
10	A70-1600.C107	1600	12.59
11	A70-1800.C107	1800	13.67
12	A70-2000.C107	2000	14.75

Name	Ground Screw Type A70
Stock Code	GS-A70-0000
Weight(g)	See above table
BOM	HOP-A70-0000 (Q235 galvanized) x 1
Packing	150pcs
Note	Replace -0000 with length in mm