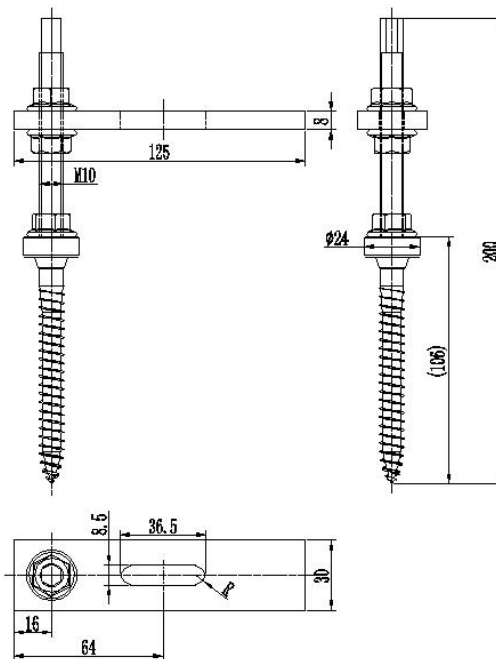


Product Specification

HOP-DS-02-200 Ver: 3.1



Name Double Threaded Rafter Screws M10*200mm (Aluminum)

Stock Code DS-02-200

Weight(g) 224

BOM

HOP-D005-100 (AL5052-H32) x 1

Φ24×13.5 Rubber mat (EPDM) x 1

M10*200 Double Threaded Rafter Screws (SUS304) x1

M10 flange Hexagon Nuts (SUS304) x 3

Packing 30pcs

Carton size 260×205×180