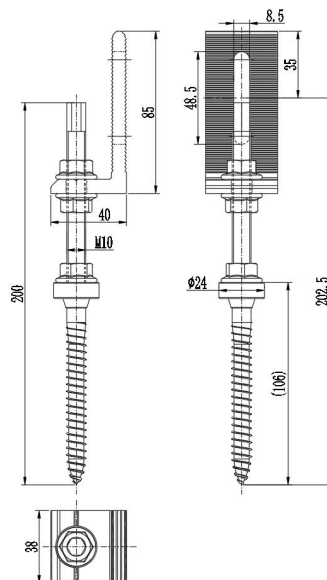


Product Specification

HOP-DS-03-200 Ver: 3.1



Name Double Threaded Rafter Screws M10*200mm (L Feet)

Stock Code DS-03-200

Weight(g) 228

BOM

HOP-H01-0X38 (AL6005-T5) x 1

Φ24×13.5 Rubber mat (EPDM) x 1

M10*200 Double Threaded Rafter Screws (SUS304) x1

M10 flange Hexagon Nuts (SUS304) x3

Packing 30pcs

Carton size 260×205×180