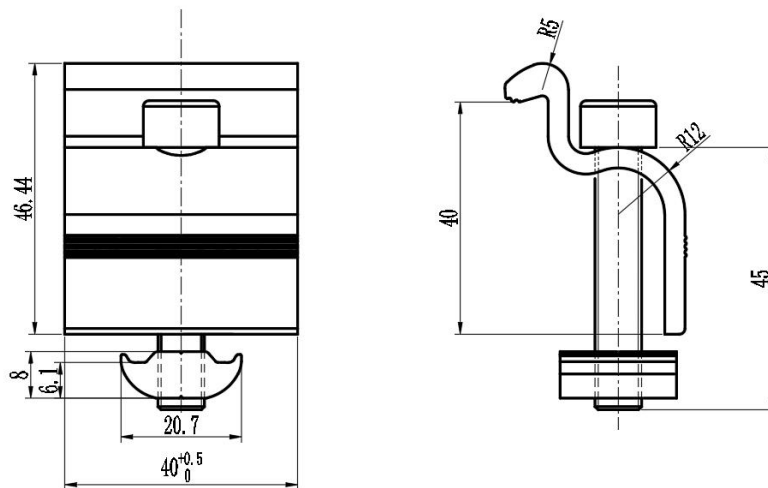


## Product Specification

HOP-PC-FEC40-NS2 Ver: 4.1



<b>Name</b>	Fits End Clamp (28-40mm)
<b>Stock Code</b>	PC-FEC40-NS2
<b>Weight(g)</b>	58
<b>BOM</b>	SL-V05-0040 (AL6005-T5) x 1 HOP-G92-0020 (AL6005-T5) x 1 M8*45 Hexagon socket head cap screws (SUS304) x1
<b>Packing</b>	100pcs
<b>Carton size</b>	260×205×180