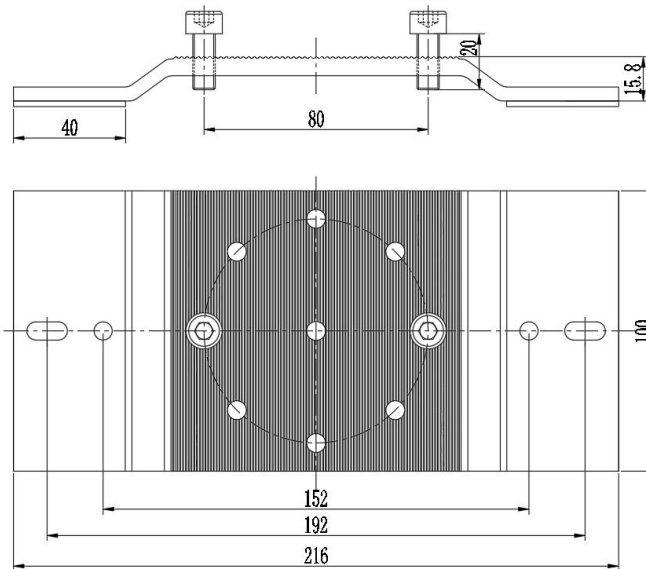
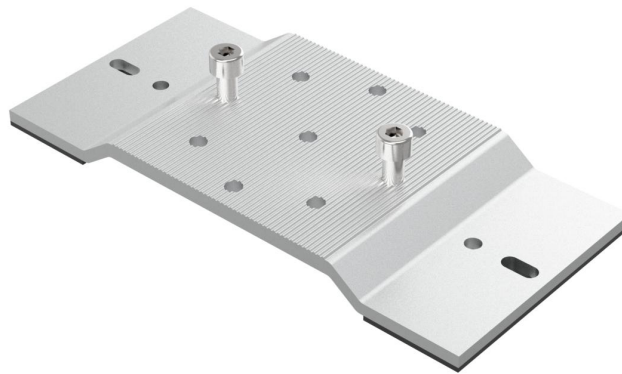


## Product Specification

HOP-TRB-C06 Ver: 3.1



<b>Name</b>	CK Interface Bracket
<b>Stock Code</b>	TRB-C06
<b>Weight(g)</b>	396
<b>BOM</b>	HOP-H23-0100 (AL6005-T5) x 1 HOP-K11-0100 (EPDM) x 2 M8*20 Hexagon socket head cap screws (SUS304) x2
<b>Packing</b>	10pcs
<b>Carton size</b>	260×205×180