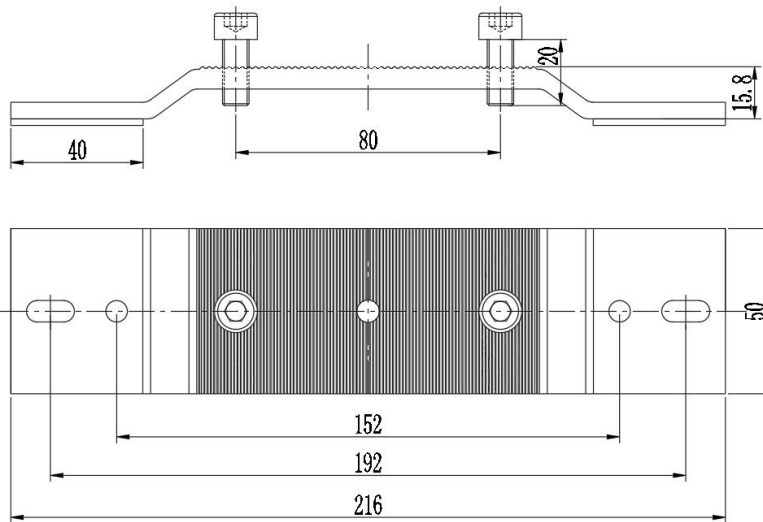
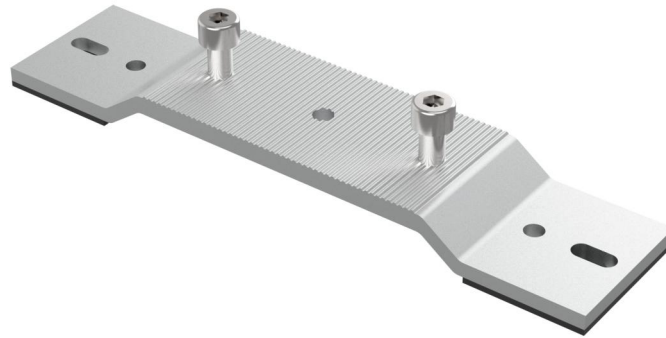


Product Specification

HOP-TRB-C07 Ver: 3.1



Name	CK Interface Bracket Lite
Stock Code	TRB-C07
Weight(g)	213
BOM	HOP-H23-0050 (AL6005-T5) x 1
	HOP-K11-0050 (EPDM) x 2
	M8*20 Hexagon socket head cap screws (SUS304) x2
Packing	20pcs
Carton size	260×205×180