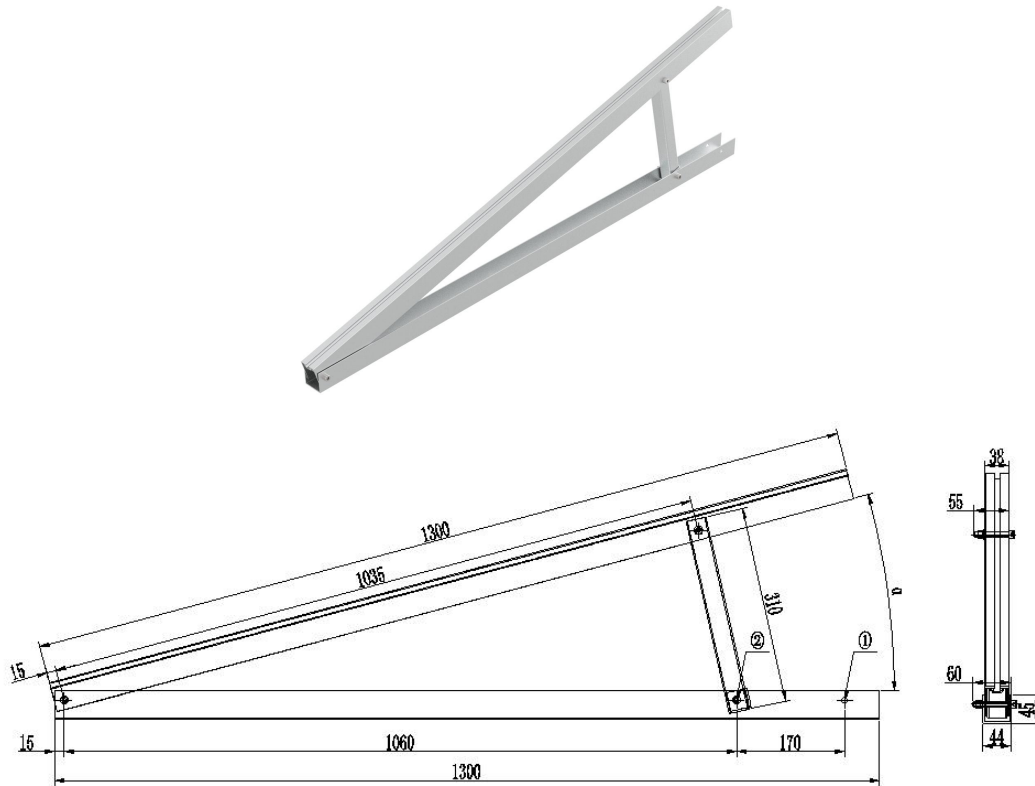


Product Specification

HOP-TRB-AFK-C15 Ver: 3.1



No.	Part No.	Feature Size		Weight	Remark
		α	Hole position		
1	TRB-AFK-C15	10°	①	2.336	
		15°	②	2.336	

Name	10/15 A-Frame Kit
Stock Code	TRB-AFK-C15
Weight(g)	See above table
BOM	HOP-E10-130X (AL6005-T5) x 1 HOP-E11-1300 (AL6005-T5) x 1 HOP-J07-0030 (AL6005-T5) x 1 HOP-J07-0310 (AL6005-T5) x 1 M8*55 Hexagon socket head cap screws (SUS304) x1 M8*60 Hexagon socket head cap screws (SUS304) x2 d8 plain washers(SUS304) x3 d8 Spring washers (SUS304) x3 M8 Hexagon Nuts(SUS304) x3
Packing	100pcs
Carton size	According to customer requirements