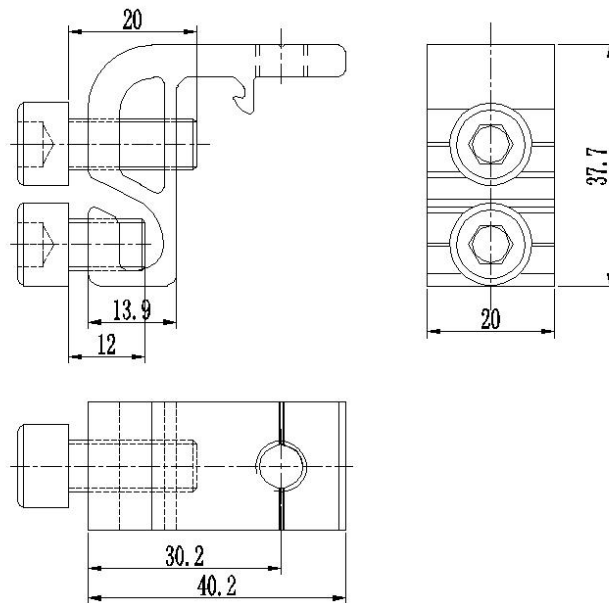


Product Specification

ULT-AC-ELG02 Ver: 3.1



Name	NOVA Earthing Lug
Stock Code	AC-ELG02
Weight(g)	51
BOM	HOP-J65-0020 (AL6005-T5) x 1 M8*12 Hexagon socket head cap screws (SUS304) x 1 M8*20 Hexagon socket head cap screws (SUS304) x 1
Packing	200pcs
Carton size	260 × 205 × 180