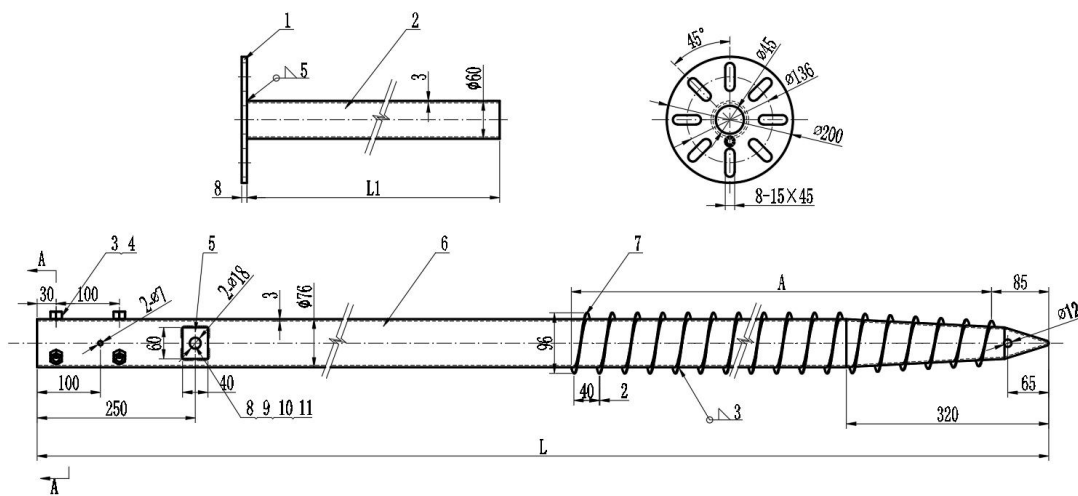


## Product Specification

HOP-GS-A50-0000 × 000 Ver: 4.1



No.	Part No.	Feature Size			Weight
		A	L	L1	
1	A50-1200×400.C107	600	1200	400	11.02
2	A50-1400×400.C107	700	1400	400	12.14
3	A50-1600×400.C107	800	1600	400	13.29
4	A50-1800×400.C107	900	1800	400	14.41
5	A50-2000×400.C107	1000	2000	400	15.56

<b>Name</b>	Adjustable Ground Screw Type A50
<b>Stock Code</b>	GS-A50-0000 × 000
<b>Weight(g)</b>	Add two tables of weight HOP-A50-0000 (Q235 galvanized) x 1 M12 × 30 Hexagon head screws (SUS304) x6 M12 Hexagon Nuts(SUS304) x 6
<b>BOM</b>	M16 × 100 Hexagon head screws (SUS304) x1 d16 Plain washers(SUS304) x1 d16 Spring washers (SUS304) x 1 M16 Hexagon Nuts (SUS304) x 1
<b>Packing</b>	150pcs
<b>Note</b>	Replace -0000 with length in mm