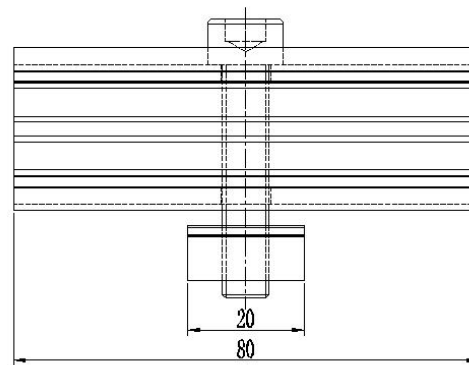
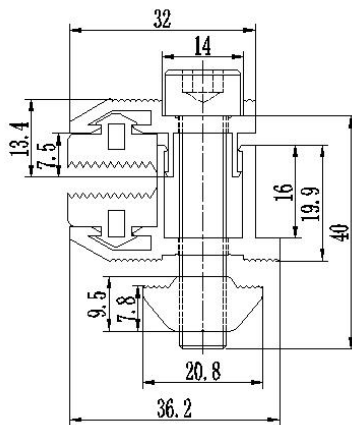
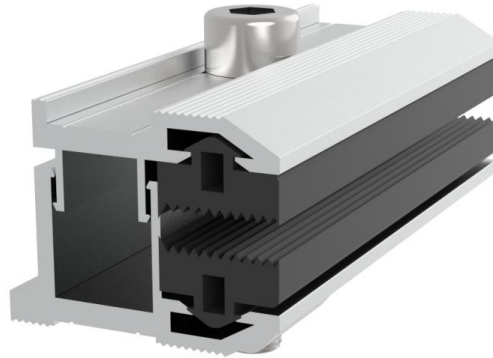


## Product Specification

HOP-PC-TEC01-NS1 Ver: 3.1



<b>Name</b>	Thin Film End Clamp
<b>Stock Code</b>	PC-TEC01-NS1
<b>Weight(g)</b>	103
<b>BOM</b>	HOP-G13-0080 (AL6005-T5) x 1 HOP-G14-0080 (AL6005-T5) x 1 HOP-G91-0020 (AL6005-T5) x 1 HOP-K01-0080 (EPDM) x 2 M8*40 Hexagon socket head cap screws (SUS304) x1
<b>Packing</b>	50pcs
<b>Carton size</b>	260×205×180