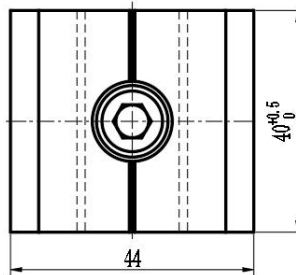
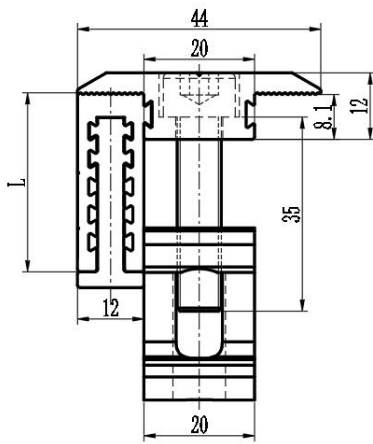


Product Specification

HOP-PC-LEC Ver: 4.1



No.	Part No.	Feature Size L	Panel Size
1	PC-LEC	32	32
2	PC-LEC	35	35
3	PC-LEC	40	40
4	PC-LEC	45	45
5	PC-LEC	50	50

Name	LEX Adjustable End Clamp
Stock Code	PC-LEC
Weight(g)	102
BOM	HOP-G05-0040 (AL6005-T5) x 1 HOP-G06-0020 (AL6005-T5) x 1 HOP-G07-0040 (AL6005-T5) x 1 HOP-G08-0040 (AL6005-T5) x 1 M8*35 Hexagon socket head cap screws (SUS304) x1
Packing	100pcs
Carton size	260×205×180