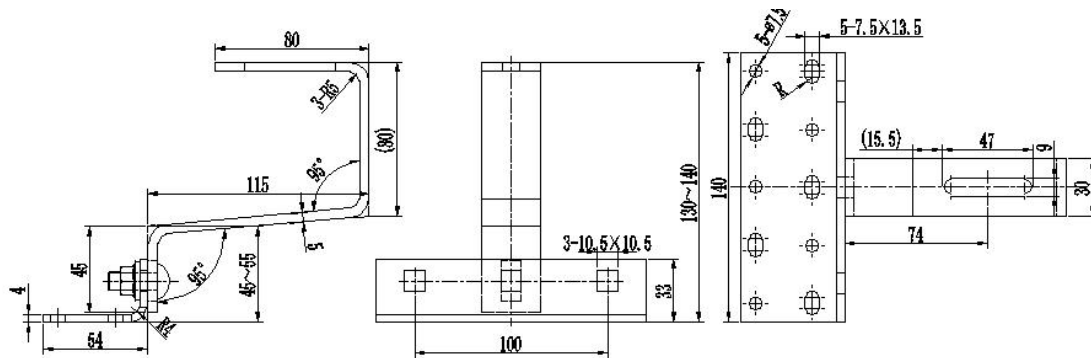


Product Specification

HOP-TRH-A09 Ver: 3.1



Name	Adjustable Hook #
Stock Code	TRH-A09
Weight(g)	736
BOM	<ul style="list-style-type: none"> HOP-C004-000-02 (SUS304) x 1 HOP-C008-000-01 (SUS304) x 1 M10 Flange Hexagon Nuts (SUS304) x 1 M10*30 Carriage screws (SUS304) x 1
Packing	50pcs
Carton size	540×220×200