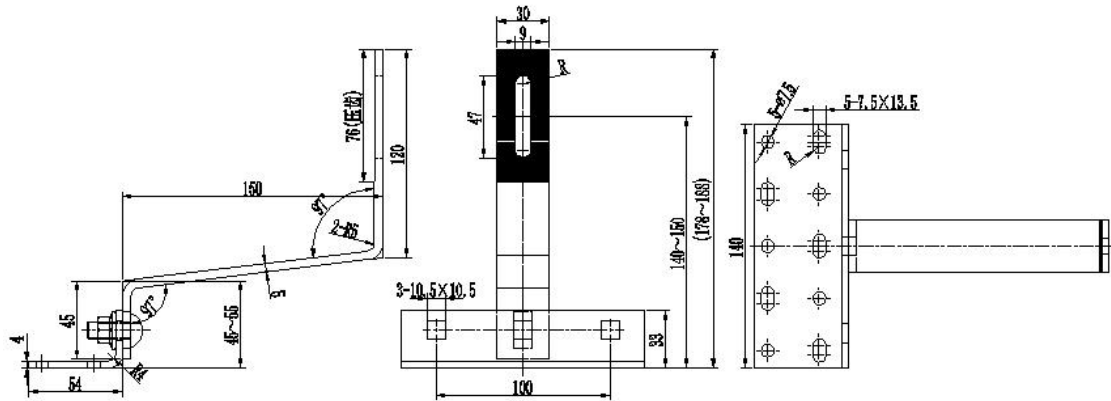


Product Specification

HOP-TRH-A08 Ver: 3.1



Name	Adjustable Hook #8
Stock Code	TRH-A08
Weight(g)	752
BOM	<ul style="list-style-type: none"> HOP-C008-000-02 (SUS304) x 1 HOP-C008-000-01 (SUS304) x 1 M10 Flange Hexagon Nuts (SUS304) x 1 M10*30 Carriage screws (SUS304) x 1
Packing	50pcs
Carton size	540×220×200