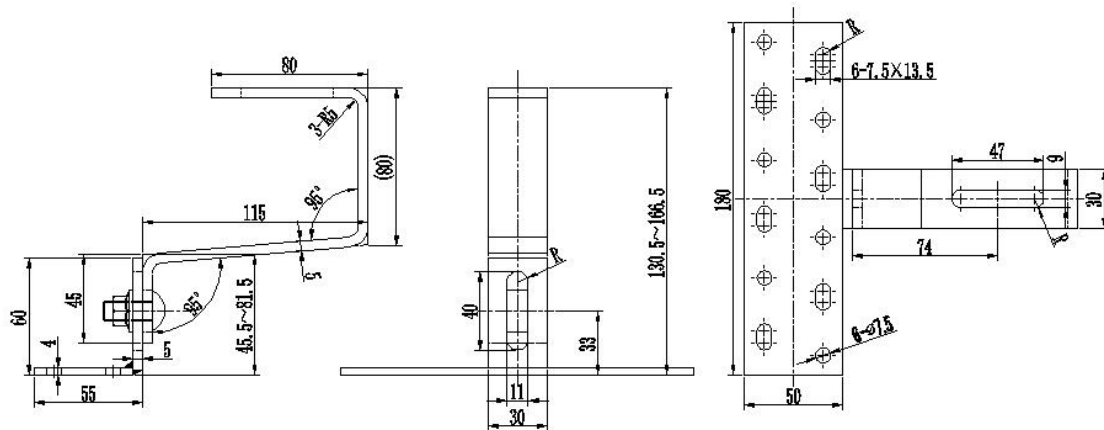


## Product Specification

HOP-TRH-A04 Ver: 3.1



|                   |                    |
|-------------------|--------------------|
| <b>Name</b>       | Adjustable Hook #4 |
| <b>Stock Code</b> | TRH-A04            |
| <b>Weight(g)</b>  | 735                |

### BOM

- HOP-C004-000-02 (SUS304) x 1
- HOP-C001-000-01 (SUS304) x 1
- M10 Flange Hexagon Nuts (SUS304) x 1
- M10\*30 Carriage screws (SUS304) x 1

|                    |             |
|--------------------|-------------|
| <b>Packing</b>     | 50pcs       |
| <b>Carton size</b> | 540×220×200 |