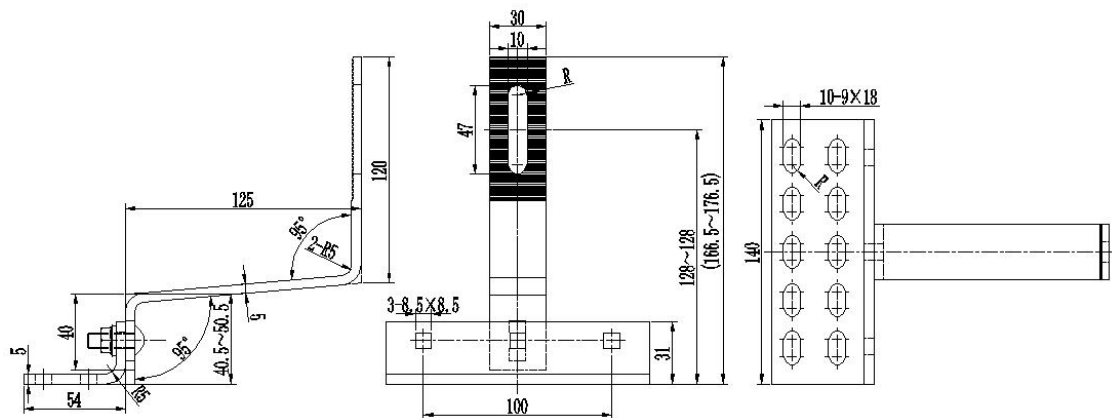


## Product Specification

HOP-TRH-A40 Ver: 3.1



|            |                     |
|------------|---------------------|
| Name       | Adjustable Hook #40 |
| Stock Code | TRH-A40             |
| Weight(g)  | 773                 |

|     |   |
|-----|---|
| BOM | HOP-C040-000 -02(SUS304) x 1<br>HOP-C040-000 -01(SUS304) x 1<br>M8 Flange Hexagon Nuts (SUS304) x 1<br>M8*25 Carriage screws (SUS304) x 1 |
|-----|---|

|             |             |
|-------------|-------------|
| Packing     | 50pcs       |
| Carton size | 540×220×200 |