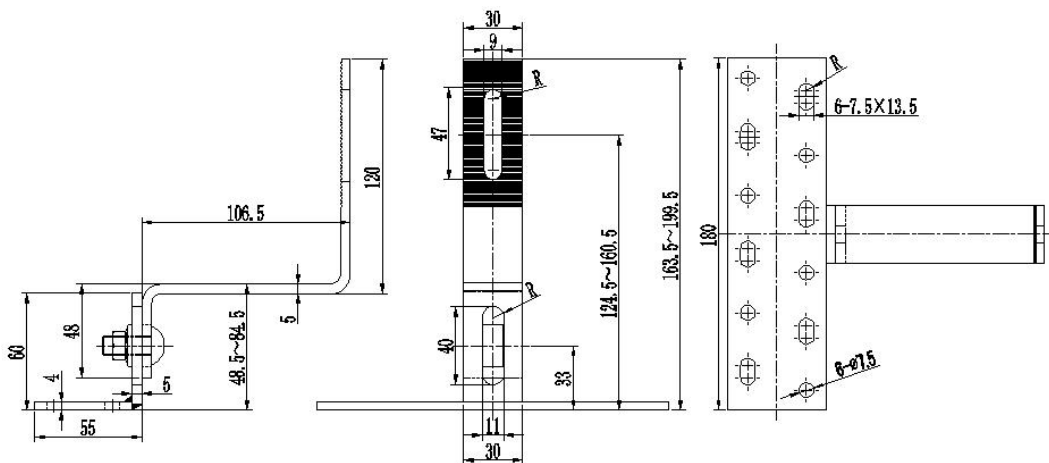


## Product Specification

HOP-TRH-A01 Ver: 3.1



<b>Name</b>	Adjustable Hook #1
<b>Stock Code</b>	TRH-A01
<b>Weight(g)</b>	698

<b>BOM</b>	HOP-C001-000-02 (SUS304) x 1
	HOP-C001-000-01 (SUS304) x 1
	M10 Flange Hexagon Nuts (SUS304) x 1
	M10*30 Carriage screws (SUS304) x 1

<b>Packing</b>	50pcs
<b>Carton size</b>	540×220×200