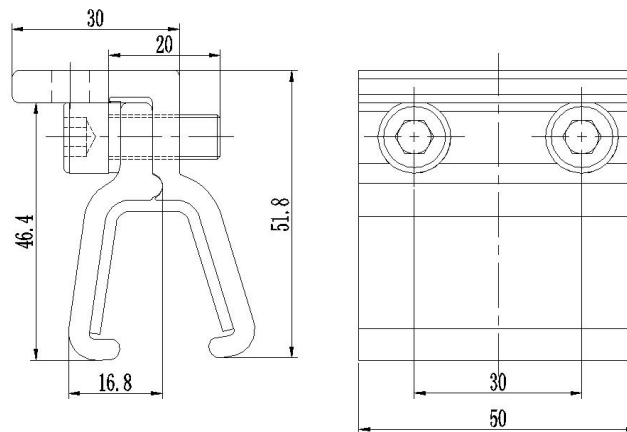


## Product Specification

HOP-TRB-C04 Ver: 3.1



<b>Name</b>	Tin Interface Bracket #4
<b>Stock Code</b>	TRB-C04
<b>Weight(g)</b>	124
<b>BOM</b>	HOP-H12-0050 (AL6005-T5) x 1 HOP-H13-0050 (AL6005-T5) x 1 HOP-K12-0060 (EPDM) x 1 M8*20 Hexagon socket head cap screws (SUS304) x2 d8 Spring washers (SUS304) x2
<b>Packing</b>	170pcs
<b>Carton size</b>	540×220×200