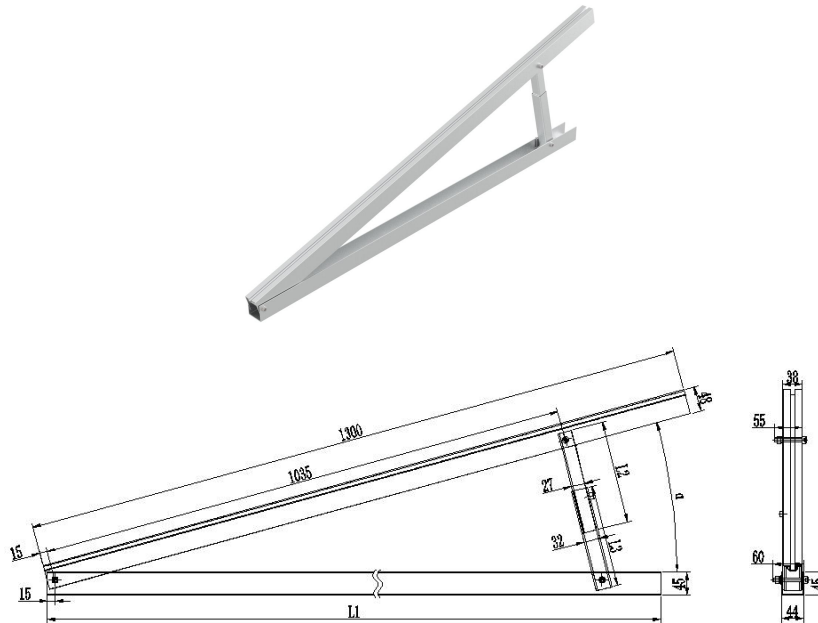


Product Specification

HOP-TRB-AFK-A5X Ver: 4.1



序号 No.	编号 Part No.	特征尺寸 Feature Size			重量 Weight	适用于 Suitable for	备注 Remark
		α	L1	L2			
1	TRB-AFK-A5S	10~15°	1200	200	200	2.342	10~15°可调式
2	TRB-AFK-A5M	15~30°	1300	360	360	2.590	15~30°可调式
3	TRB-AFK-A5L	30~60°	1400	660	660	2.990	30~60°可调式

Name	Adjustable A-Frame Kit
Stock Code	TRB-AFK-A5X
Weight(g)	See above table
BOM	HOP-E10-0000 (AL6005-T5) x 1 HOP-E11-1300 (AL6005-T5) x 1 HOP-J05-0000 (AL6005-T5) x 1 HOP-J07-0030 (AL6005-T5) x 1 HOP-J07-0000 (AL6005-T5) x 1 HOP-J67-0045 (AL6005-T5) x 2 HOP-G94-0020 (AL6005-T5) x 1 ST6.3*25 Self-tapping screw(SUS 410) x 1 M8*20 Hexagon socket head cap screws (SUS304) x1 M8*55 Hexagon socket head cap screws (SUS304) x1 M8*60 Hexagon socket head cap screws (SUS304) x2 d8 plain washers(SUS304) x3 d8 Spring washers (SUS304) x3 M8 Hexagon Nuts(SUS304) x3
Packing	100pcs
Carton size	According to customer requirements